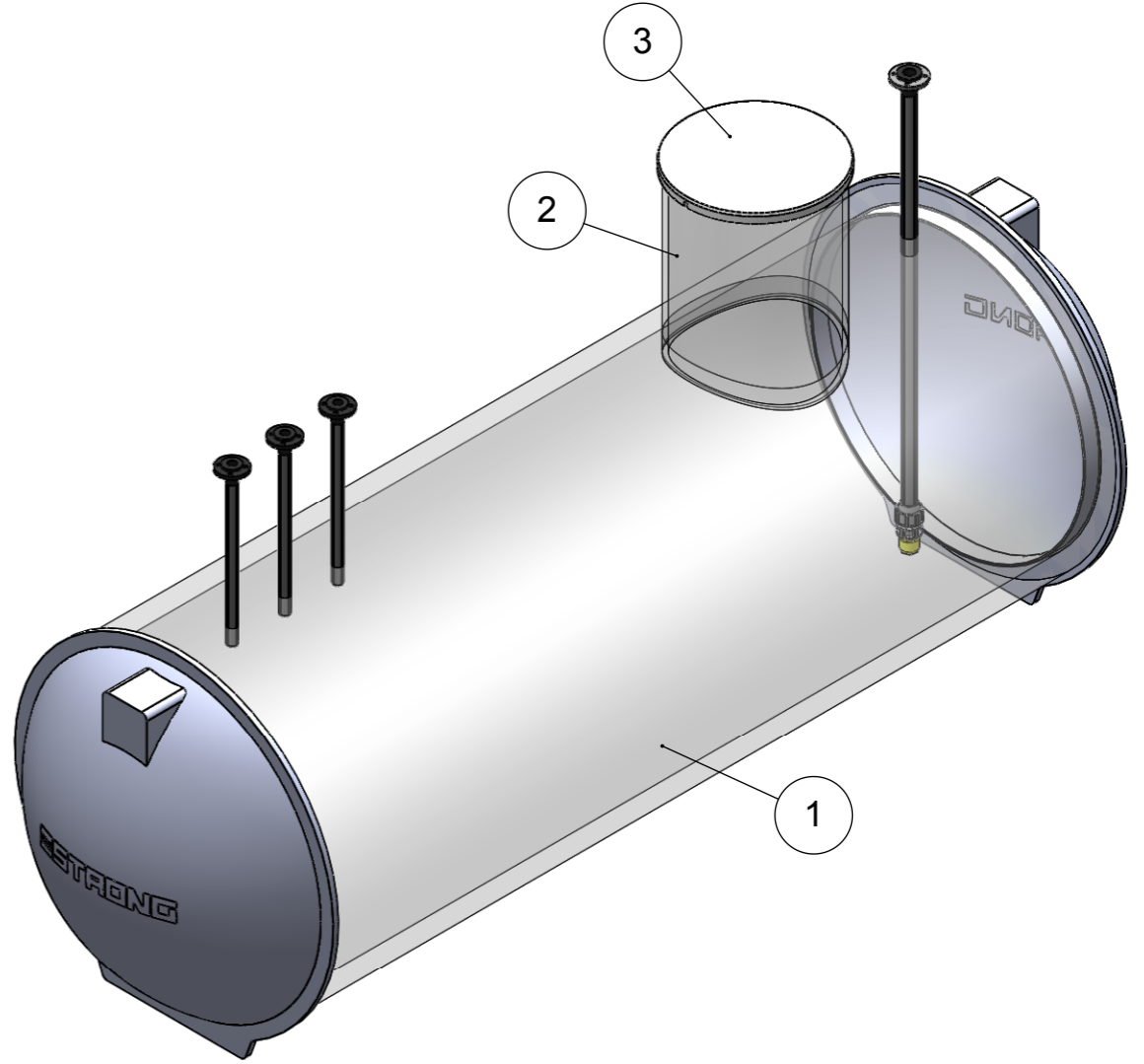
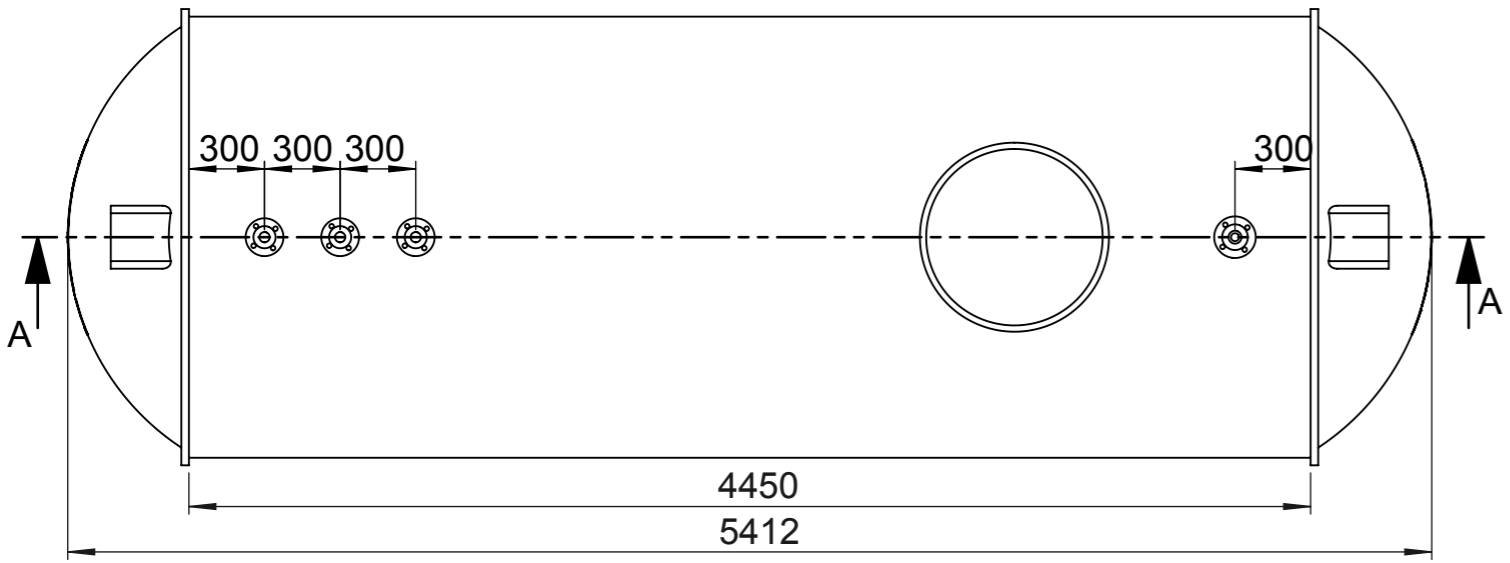
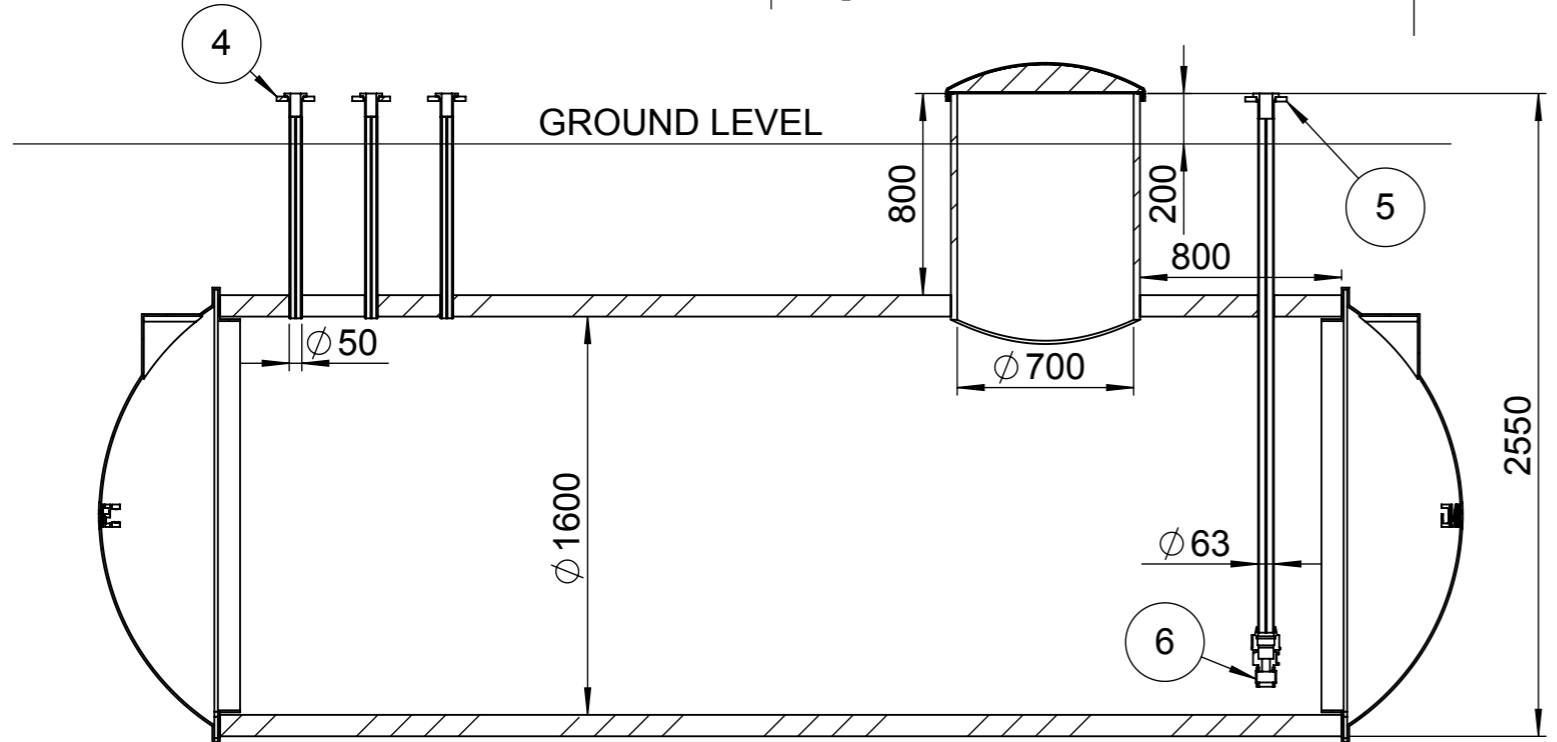


This document and its contents are the property of Innovative Water Systems LLC. and must not be copied, reproduced or disclosed to any third party without prior written permission. Contravention will be prosecuted.

RevNo:	Revision note:	Date:	Signature:	Checked:
--------	----------------	-------	------------	----------



Pos.	Name	Material, type	Size
1	Tank cylinder	PE 100	Di1600 mm, SN4 kN/m2
2	PE pipe	PE 100	Di700
3	PE cover	PE 100	Di700
4	Backing flanges	PP/Steel	DN40/50 PN16
5	Backing flanges	PP/Steel	DN50/63 PN16
6	Check valve Europa	Brass	2"

Drw: L.Roomet 9.05.2014	Size, std:	Tolerance:	Geometric tolerance symbols acc. ISO1101 General tolerance symbols acc. ISO2768 Surface roughness symbols acc. ISO1302	
Chk:	Material: Unspec.	Part ref:		
App:	Finish: Unspec.	Juomavesisäiliö STRONG Di1600 10 m3		
Prod:	-Suomi			
Sheet: 1/1	Size: A3	EcoTank		
Scale: 1:30	Mass: kg 0.00	Metric: mm	All rights reserved. Copyright (C) 2005 EcoTank www.ecotank.fi	Drawing number: L001960
				Ver. 0