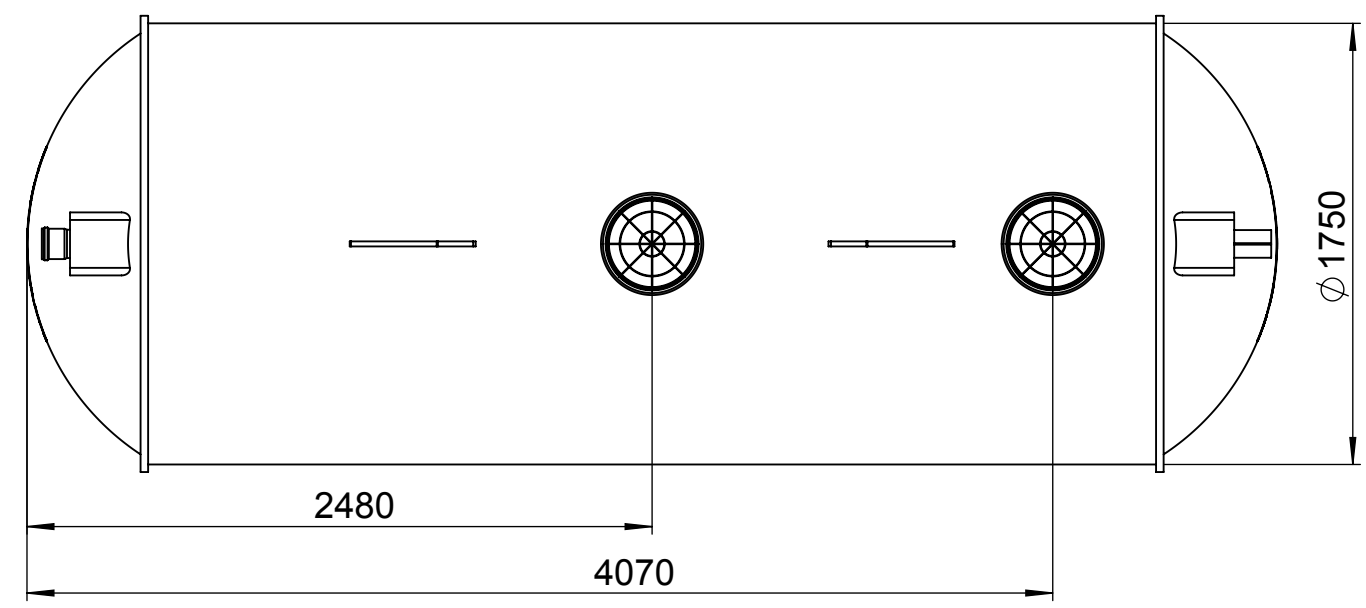
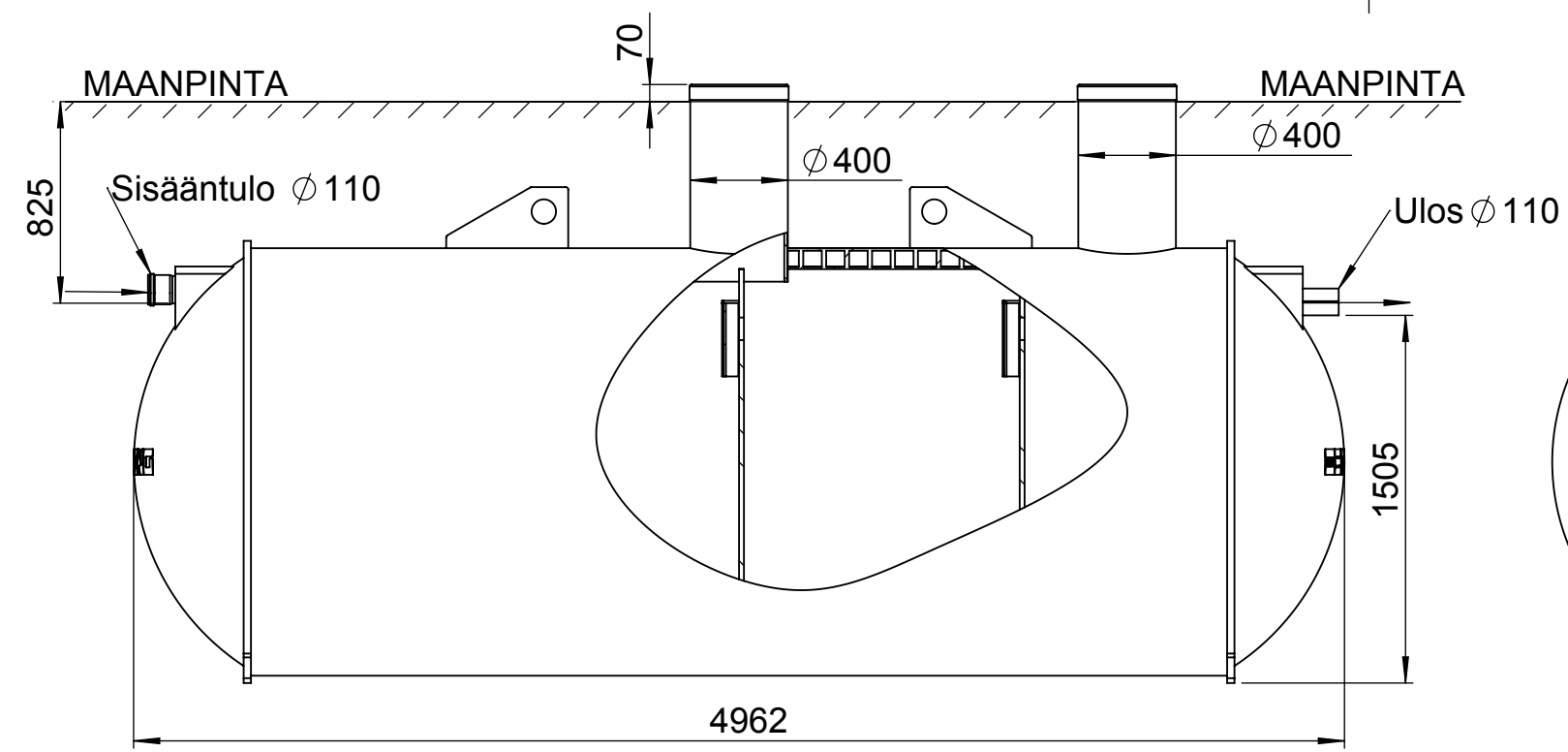


This document and its contents are the property of EcoTank LLC. and must not be copied, reproduced or disclosed to any third party without prior written permission. Contravention will be prosecuted.

RevNo:	Revision note:	Date:	Signature:	Checked:
--------	----------------	-------	------------	----------



CE
EN 12566 - 1



Drw: L.Roomet	Size, std:	Tolerance: Geometric tolerance symbols acc. ISO1101 General tolerance symbols acc. ISO2768 Surface roughness symbols acc. ISO1302	
Chk: M.Somelar	Material: Unspec.		
App: M.Somelar	Finish: Unspec.	Part ref:	
Prod:		STRONG Sakosäiliö ϕ 1600, 8000 L	
Sheet: 1/1	Size: A3	CE EN12566-1	
Scale: 1:30	Mass: kg 0.00	Metric: mm 	EcoTank All rights reserved. Copyright (C) 2005 EcoTank www.EcoTank.fi
		Drawing number: NA	Ver. Rev. 0