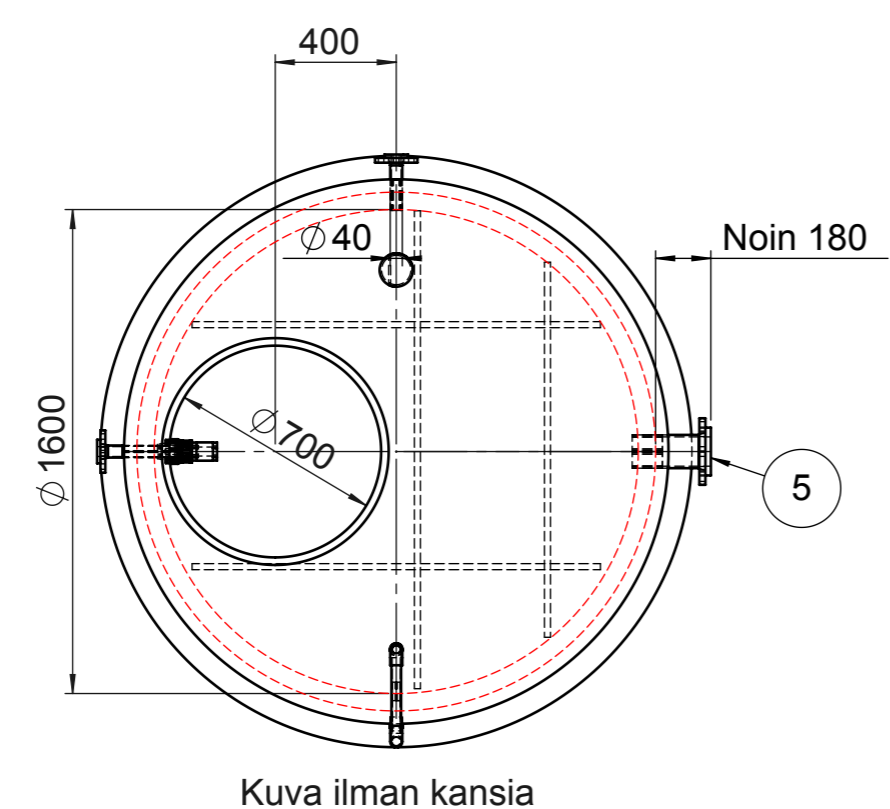
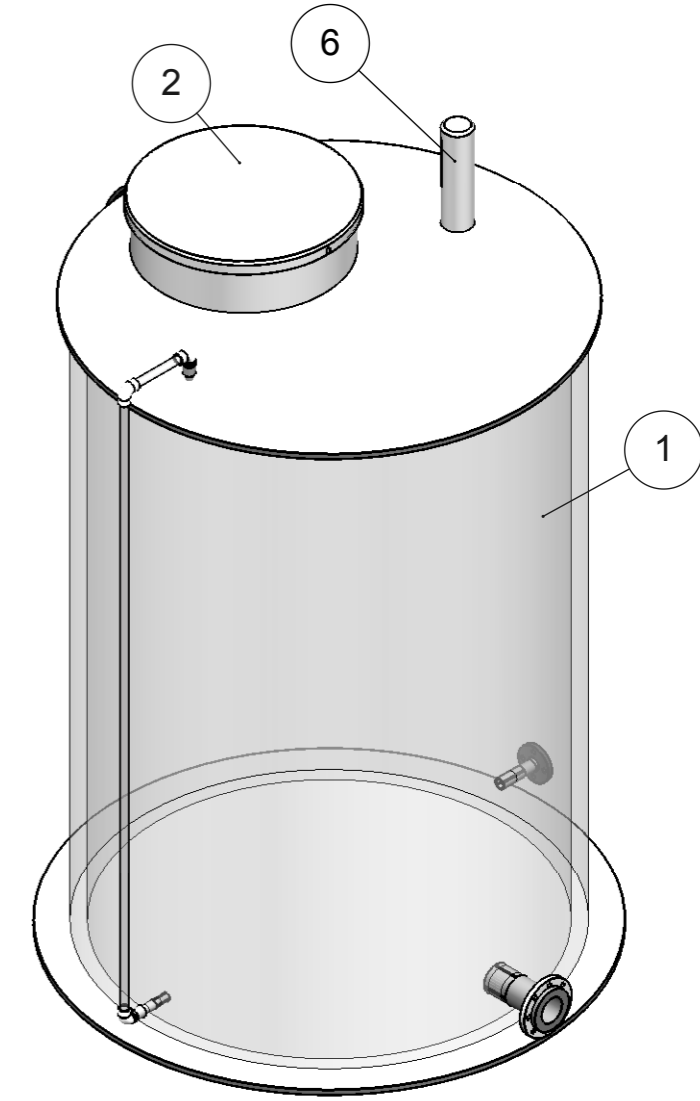
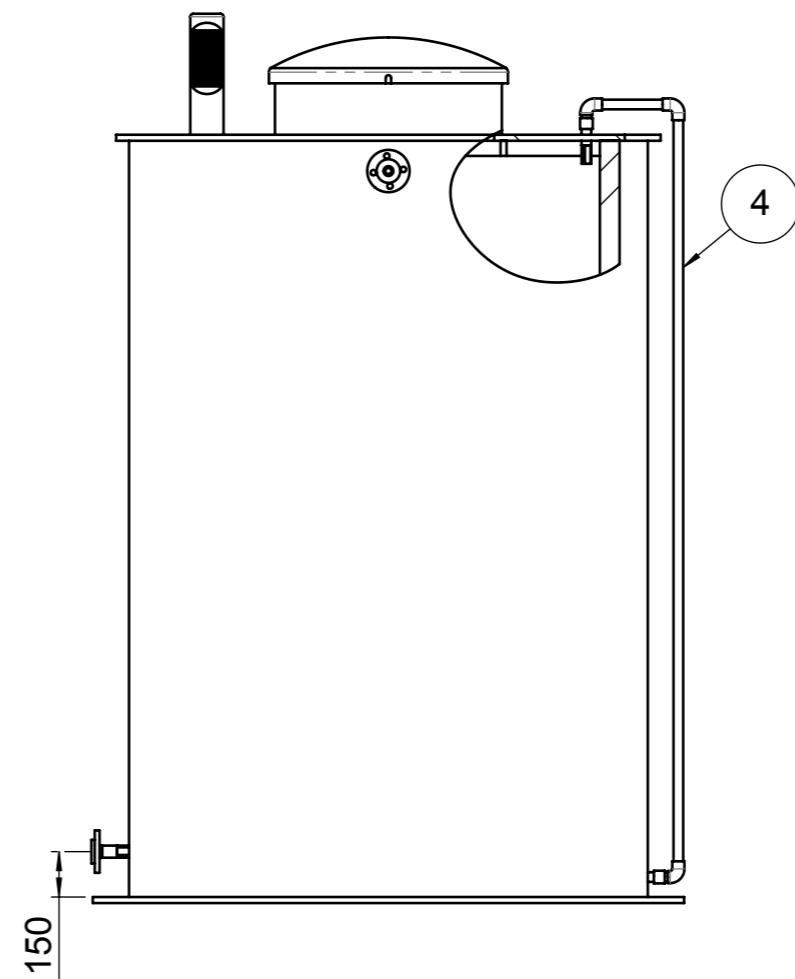
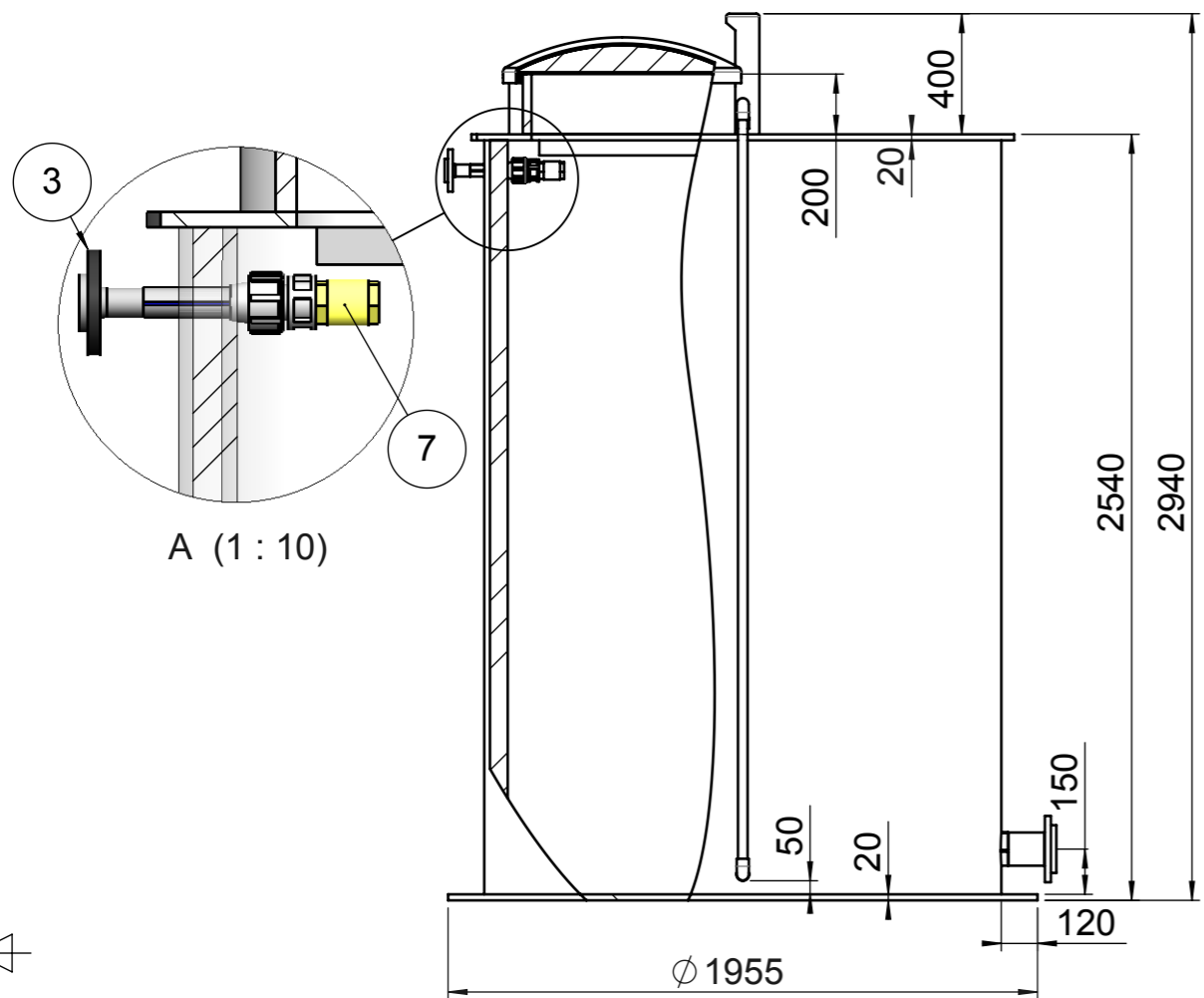


This document and its contents are the property of EcoTank LLC. and must not be copied, reproduced or disclosed to any third party without prior written permission. Contravention will be prosecuted.



Pos.	Nimetus	Materjal, tüüp	Möödud
1	Runko, tuplaseinä	PE100	Di1600, SN2
2	Muvikansi, lukittava	PE100	ID700 mm
3	Yhtys-lappa+kaula	PE100	DN32/40mm
4	Pinnankorkeus mittai	PVC	DN25
5	Yhtys-lappa+kaula	PE100	DN100/110 mm
6	Ilmaputki	PE100	DN100/110 mm
7	Takaiskuventtiili		DN32

Drw: M.Somelar 10.10.2014		Size: std:		Tolerance: Geometric tolerance symbols acc. ISO1101 General tolerance symbols acc. ISO2768 Surface roughness symbols acc. ISO1302	
Chk:		Material: Unspec.			
App:		Finish: Unspec.		Part ref:	
Prod:		Vesisäilö V=5 m3 Di1600 -EcoTank, nr 1			
Sheet: 1/1	Size: A3				
Scale: 1:25	Mass: kg 0.00	Metric: mm		EcoTank	All rights reserved. Copyright (C) 2005 EcoTank www.EcoTank.fi
			Drawing number: L002169	Ver. 0	Rev.

A
B
C
D
E
F