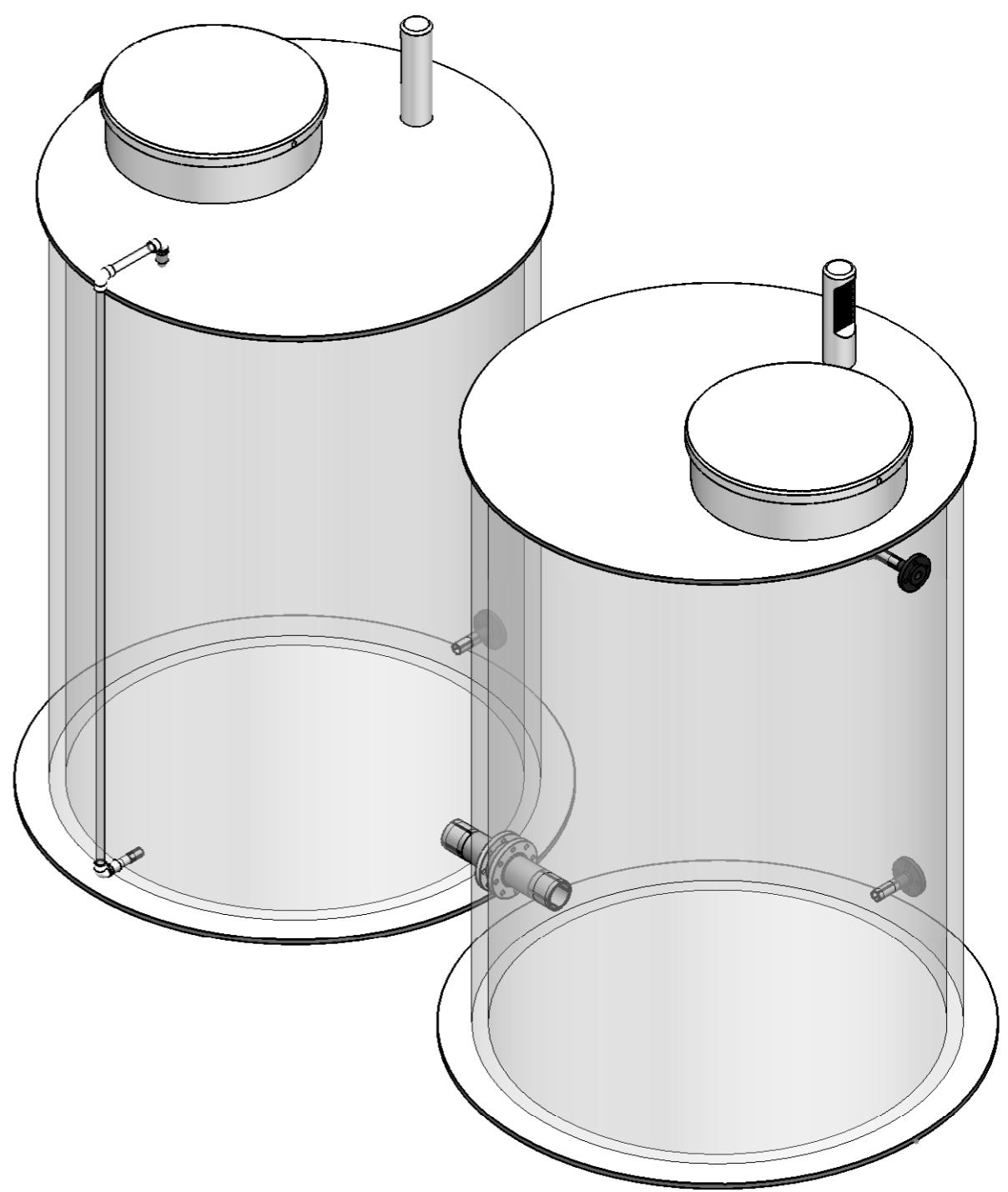
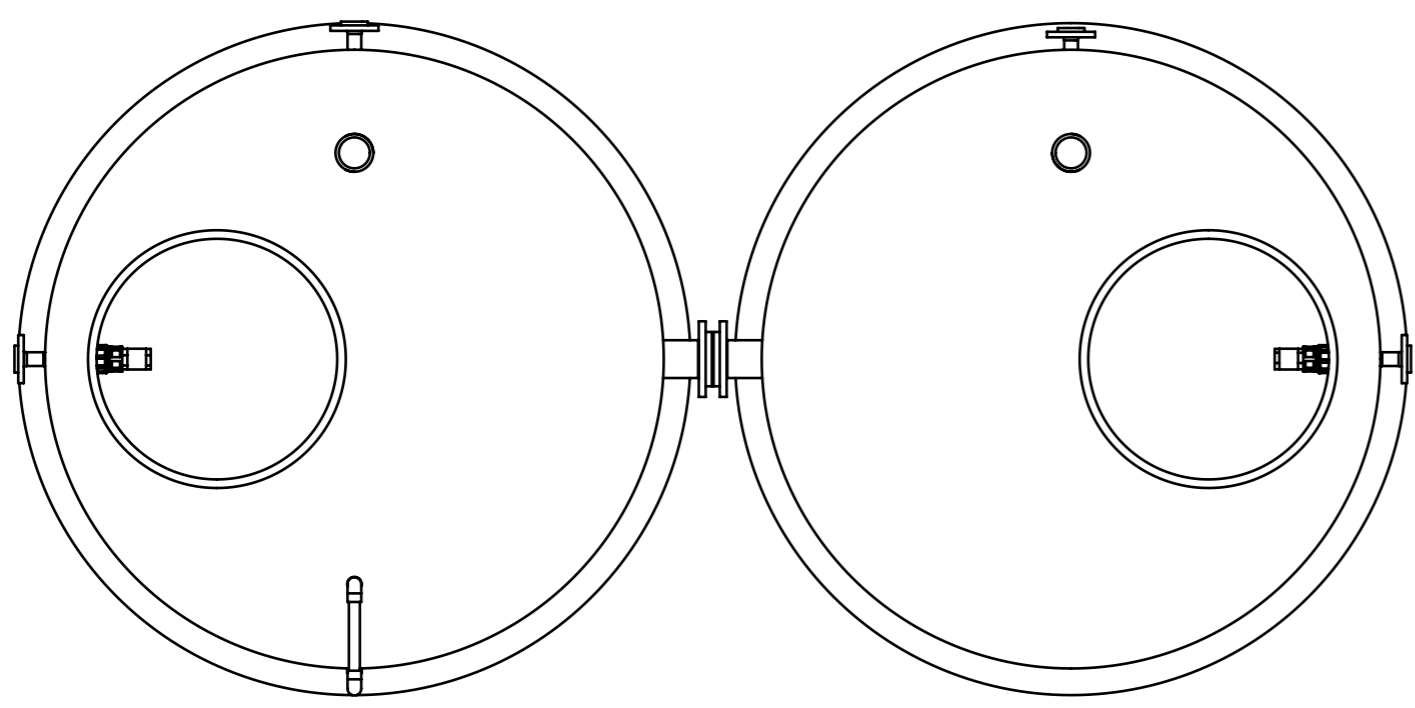
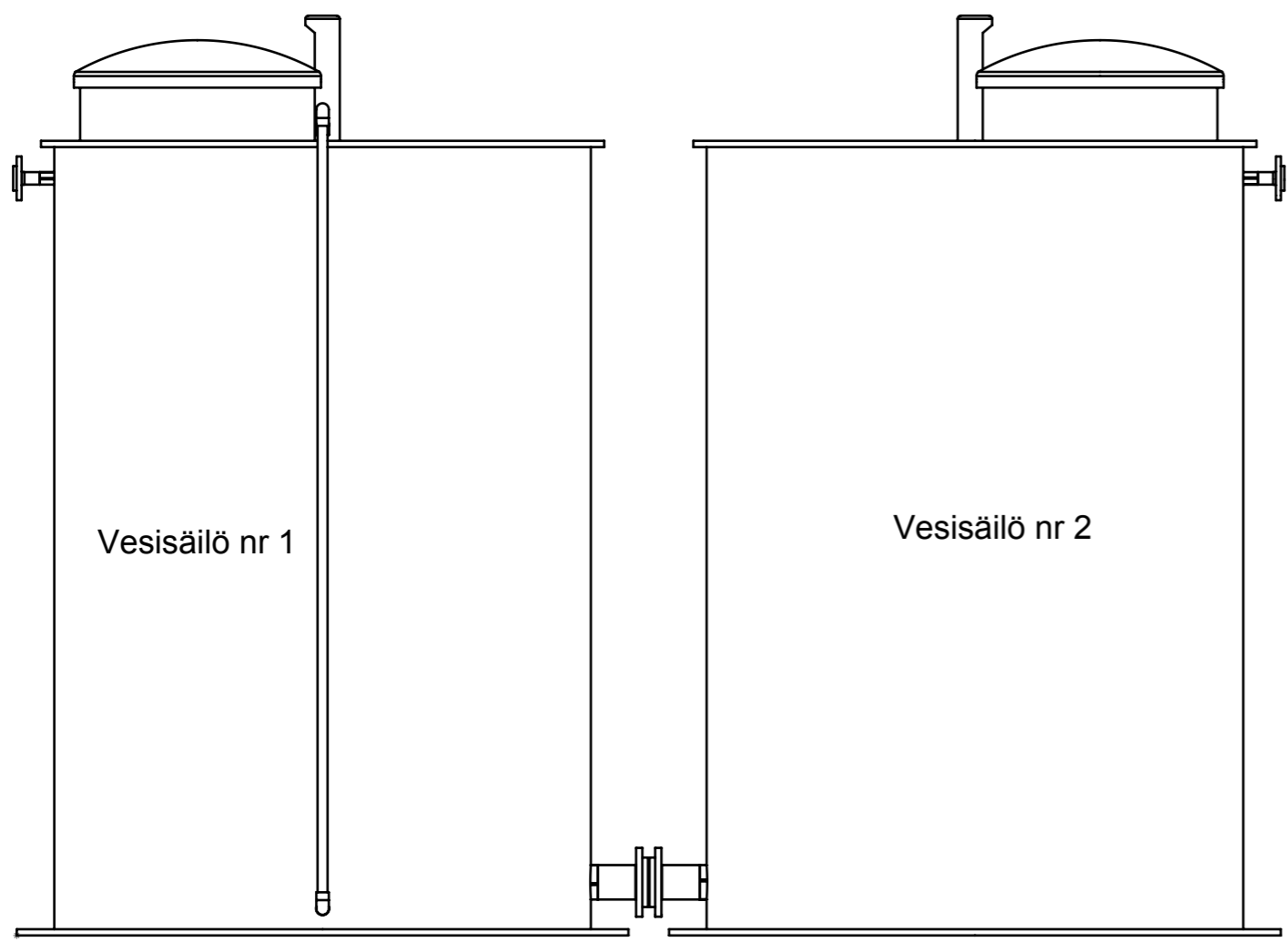


This document and its contents are the property of EcoTank LLC. and must not be copied, reproduced or disclosed to any third party without prior written permission. Contravention will be prosecuted.

RevNo:	Revision note:	Date:	Signature:	Checked:
--------	----------------	-------	------------	----------



Kuva ilman kansia

Drw: M.Somelar 10.10.2014	Size, std:	Tolerance: Geometric tolerance symbols acc. ISO1101 General tolerance symbols acc. ISO2768 Surface roughness symbols acc. ISO1302
Chk:	Material: Unspec.	
App:	Finish: Unspec.	Part ref:
Prod:	Vesisäilö V=5 m3 Di1600 -EcoTank, nr 1 ja nr 2	
Sheet: 1/1	Size: A3	
Scale 1:22	Mass: kg 0.00	Metric: mm
EcoTank		All rights reserved. Copyright (C) 2005 EcoTank www.EcoTank.fi
		Drawing number:
		Ver. 0
		Rev.