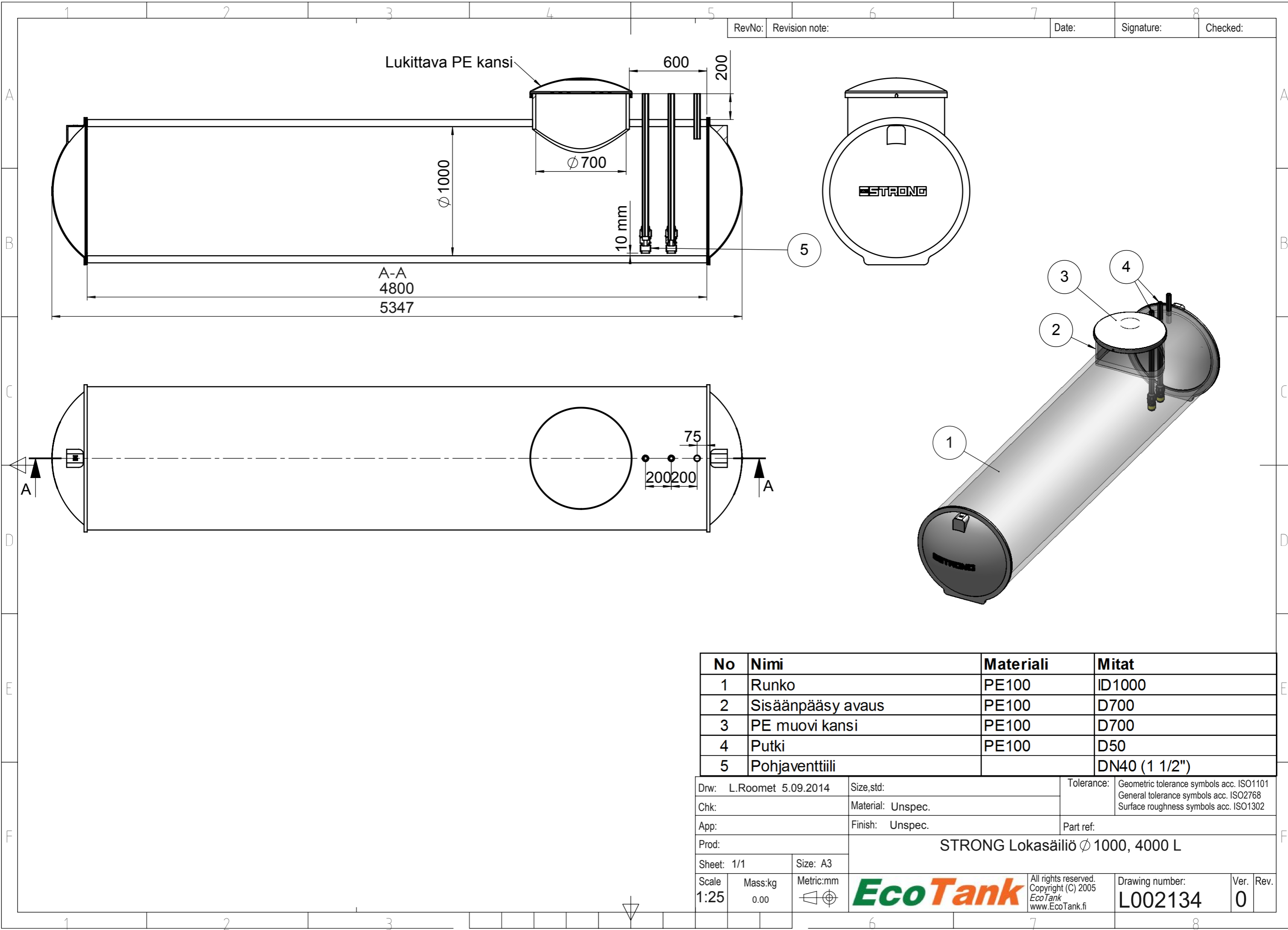


This document and its contents are the property of EcoTank LLC. and must not be copied, reproduced or disclosed to any third party without prior written permission. Contravention will be prosecuted.



No	Nimi	Materiali	Mitat
1	Runko	PE100	ID1000
2	Sisäänkäyvä avaus	PE100	D700
3	PE muovi kansi	PE100	D700
4	Putki	PE100	D50
5	Pohjaventtiili		DN40 (1 1/2")

Drw: L.Roomet 5.09.2014		Size: std:		Tolerance: Geometric tolerance symbols acc. ISO1101 General tolerance symbols acc. ISO2768 Surface roughness symbols acc. ISO1302	
Chk:		Material: Unspec.			
App:		Finish: Unspec.		Part ref:	
Prod:		STRONG Lokasäiliö Ø 1000, 4000 L			
Sheet: 1/1		Size: A3			
Scale 1:25	Mass:kg 0.00	Metric:mm 	EcoTank	All rights reserved. Copyright (C) 2005 EcoTank www.EcoTank.fi	Drawing number: L002134
			Ver. 0	Rev.	