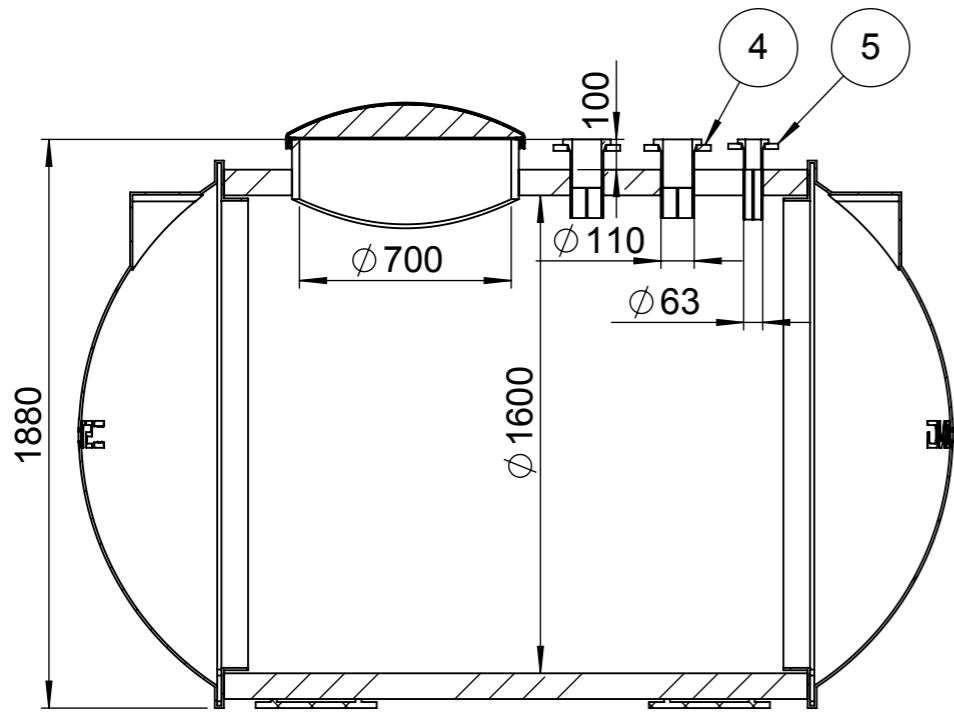
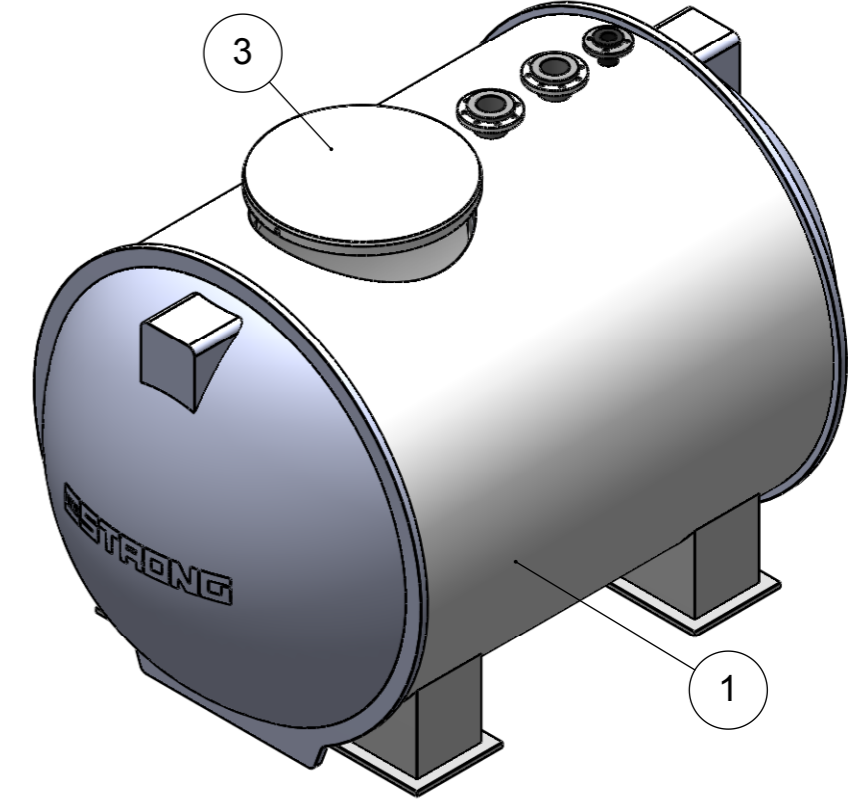
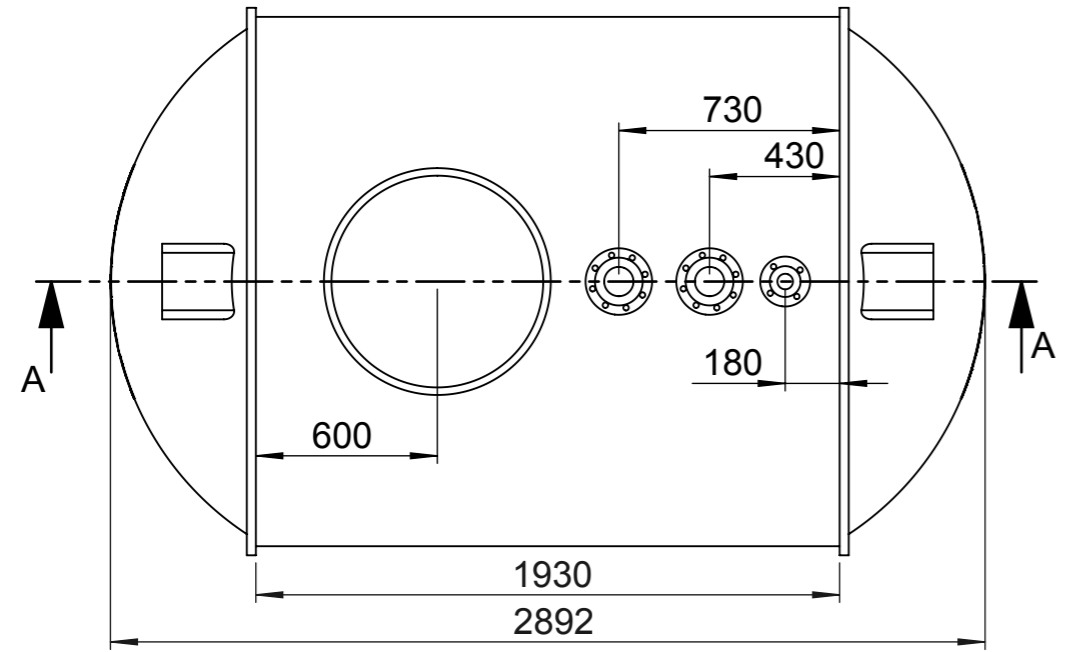
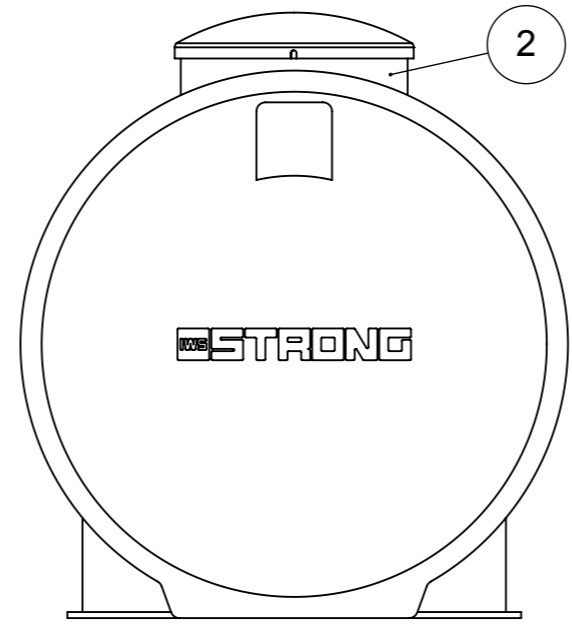


This document and its contents are the property of EcoTank LLC. and must not be copied, reproduced or disclosed to any third party without prior written permission. Contravention will be prosecuted.



SECTION A-A



Pos.	Name	Material, type	Size
1	Tank cylinder	PE100	Di1600 mm, SN4 kN/m2
2	PE pipe	PE100	Di700
3	PE cover	PE100	Di700
4	Backing flanges	PP/Steel	DN100/110 PN16
5	Backing flanges	PP/Steel	DN50/63 PN16

Drw: L.Roomet 28.05.2014		Size: std:		Tolerance: Geometric tolerance symbols acc. ISO1101 General tolerance symbols acc. ISO2768 Surface roughness symbols acc. ISO1302	
Chk:		Material: Unspec.			
App:		Finish: Unspec.		Part ref:	
Prod:		Kemikaalisäiliö STRONG Di1600 5 m3			
Sheet: 1/1		Size: A3		-Suomi	
Scale 1:25	Mass:kg 0.00	Metric:mm 	EcoTank		All rights reserved. Copyright (C) 2005 EcoTank www.EcoTank.fi
			Drawing number: L001962	Ver. 0	Rev.