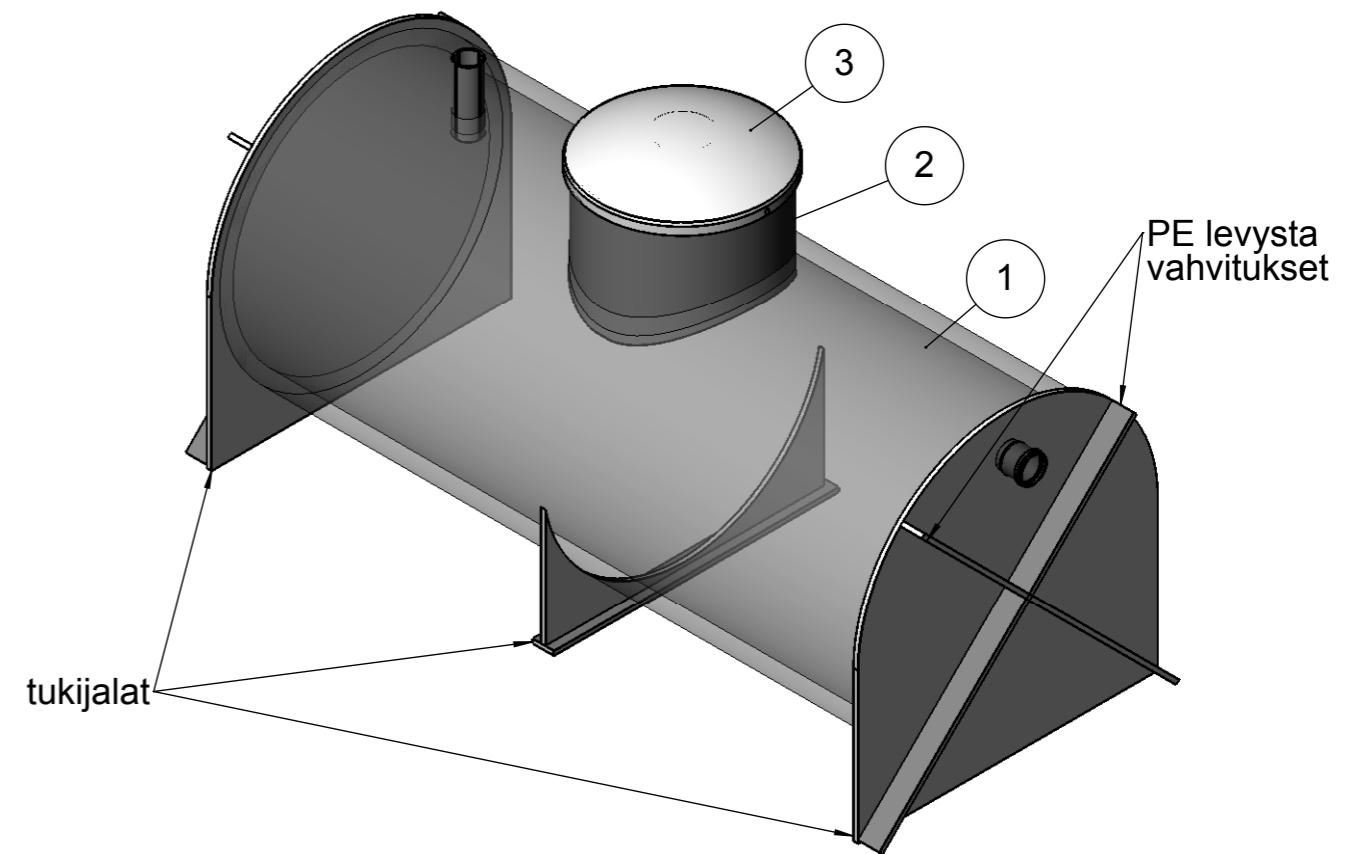
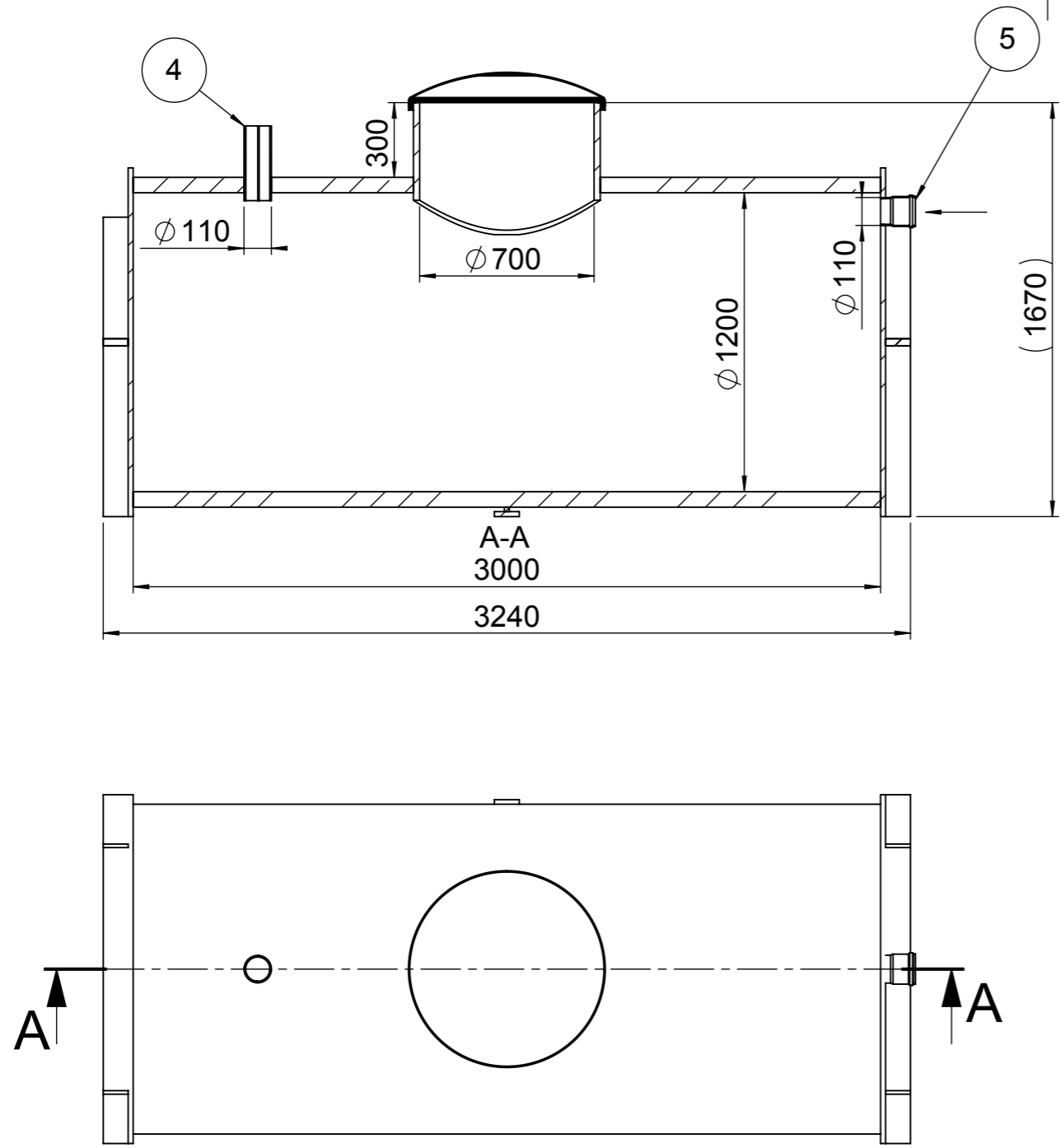


This document and its contents are the property of EcoTank LLC. and must not be copied, reproduced or disclosed to any third party without prior written permission. Contravention will be prosecuted.



No	Nimi	Materiaali	Mitat
1	Runko	PE100	ID1200
2	Sisäänkäsy avaus	PE100	D700
3	PE muovi kansi	PE100	D700
4	Liitännät	PE100	D110
5	Sisääntuloyhde	PE100	D110

Drw: L.Roomet 28.08.2014		Size: std:		Tolerance: Geometric tolerance symbols acc. ISO1101 General tolerance symbols acc. ISO2768 Surface roughness symbols acc. ISO1302	
Chk:		Material: Unspec.			
App:		Finish: Unspec.		Part ref:	
Prod:		Kemikaalisäiliö ID1200			
Sheet: 1/1		Size: A3		V=3m3	
Scale: 1:25	Mass: kg 0.00	Metric: mm	EcoTank		All rights reserved. Copyright (C) 2005 EcoTank www.EcoTank.fi
			Drawing number: L002122		Ver. 0

