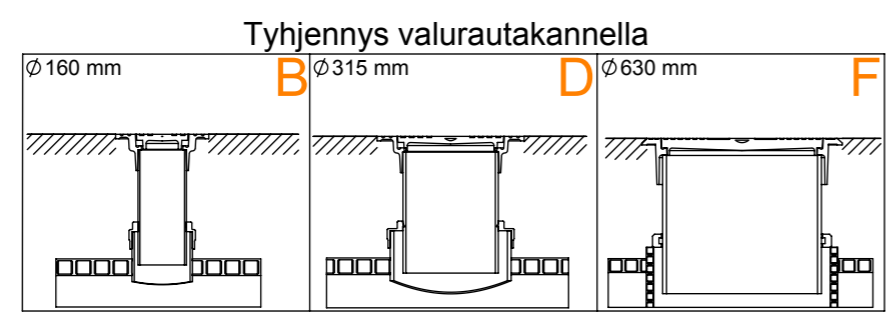
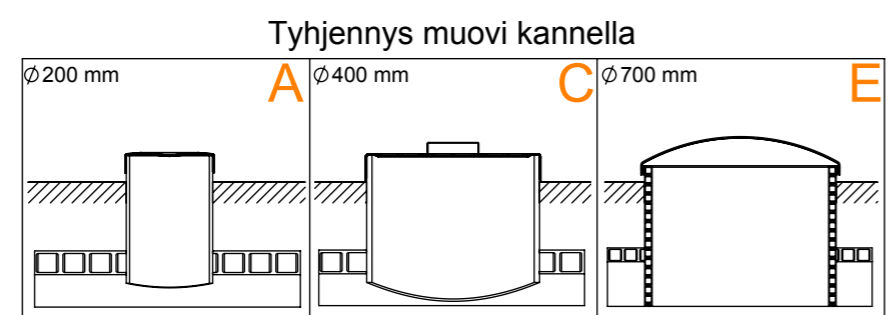


- Sisääntulo (mm) ϕ d1 ϕ 110 ϕ 200 ϕ 315
 Tyhjennys (mm) ϕ d2 A B C
 D E F
 Sisääntulo (mm) standardi korkeus tai H=mm
 (H=950 mm)
 Tyhjennys etäisyys standardi keskeltä tai L1=mm
 Langaton pintavahti Kyllä Ei



No	Nimi	Materiaali	Mitat
1	Runko, tupla seinä	PE	ϕ 1000
2	Sisääntulo	PE	ϕ d1
3	Tyhjennys	PE	ϕ d2
4	Langaton pintavahti		

Drw: L.Roomet	Size, std:	Tolerance: Geometric tolerance symbols acc. ISO1101 General tolerance symbols acc. ISO2768 Surface roughness symbols acc. ISO1302
Chk: M.Somelar	Material: Unspec.	
App: M.Somelar	Finish: Unspec.	Part ref:
Prod:	STRONG Lokasäiliö ϕ 1000, 5000 L	
Sheet: 1/1	Size: A3	
Scale: 1:35	Mass: kg 0.00	Metric: mm
EcoTank		All rights reserved. Copyright (C) 2005 EcoTank www.EcoTank.fi
Drawing number: NA		Ver. Rev. 0 0

This document and its contents are the property of EcoTank LLC. and must not be copied, reproduced or disclosed to any third party without prior written permission. Contravention will be prosecuted.