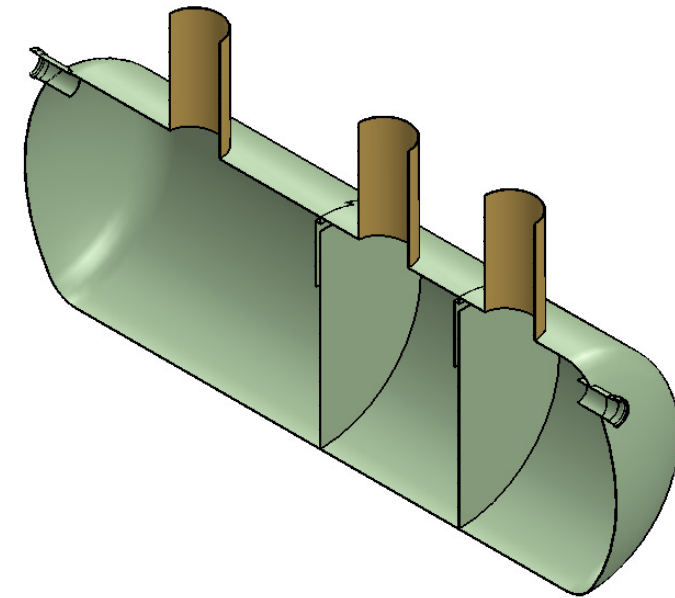
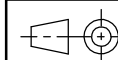


B-B



h = inlet sewer connection height from ground (as needed), default 800

Item no.	Part name	Material	Qty.
1	Tank housing	Fiberglass, ϕ 1600 x 4700	1
2	Drain sewer	ϕ 400	3
3	Inlet / outlet sewer	ϕ 160	2
4	Top cover	Cast iron or plastic	3



Weight	Date	Drawn by	E. Våljaots
	13.03.2014	Drawing no.	KPS.09.00



Ecotank OÜ
 reg.kood: 1515635
 tel: +372 5698 9390
 myynti@ecotank.fi
 www.ecotank.fi

Title			9 m ³ septic tank
Sheet	Scale	Article no.	
1/1	1:30	S9	